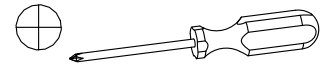
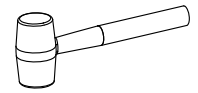
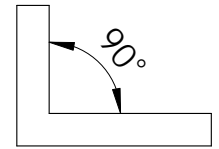
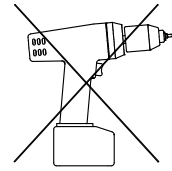
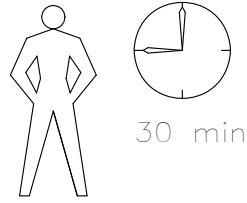
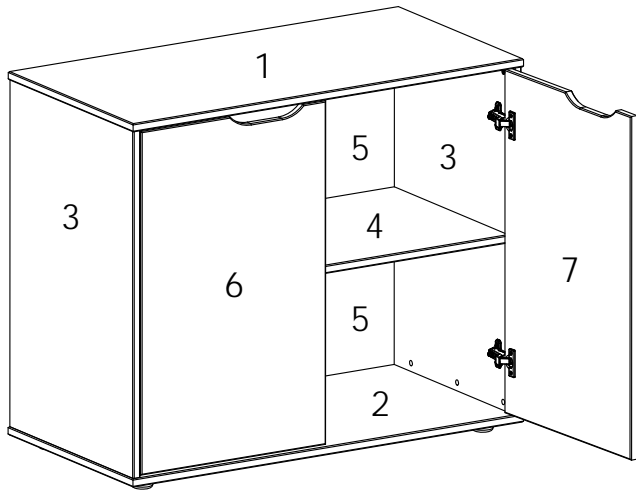
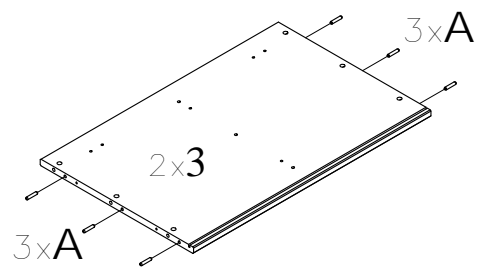
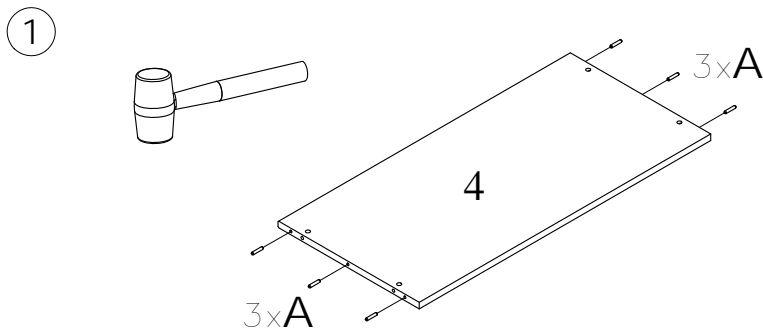


KP51-V7; KP51-V8

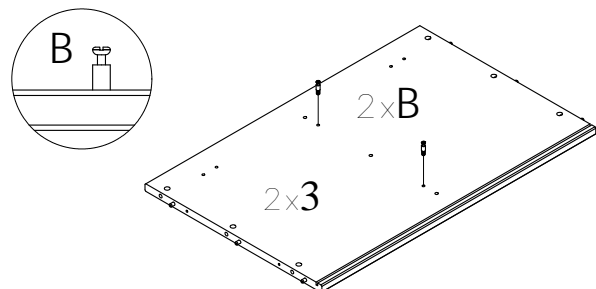
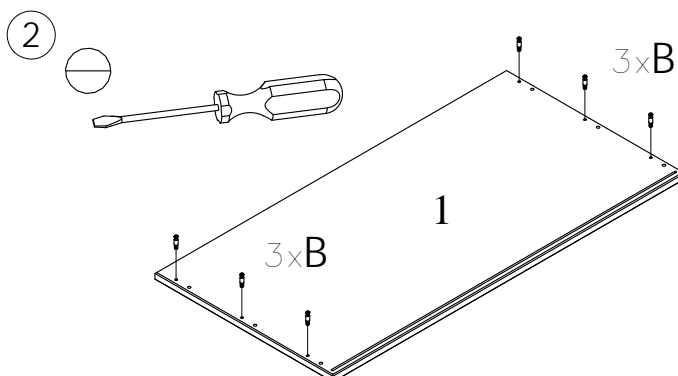


A		6x30	x18
B		6,5x27	x10
C		10x11	x10
D		4,2x45	x4
E		D39x20	x4
F		4x30	x4
H		3x16	x3

J		3,5x20	x8
K		D26H2	x4
L		D26	x4
M		3,5x15	x8
N		D10x3	x2

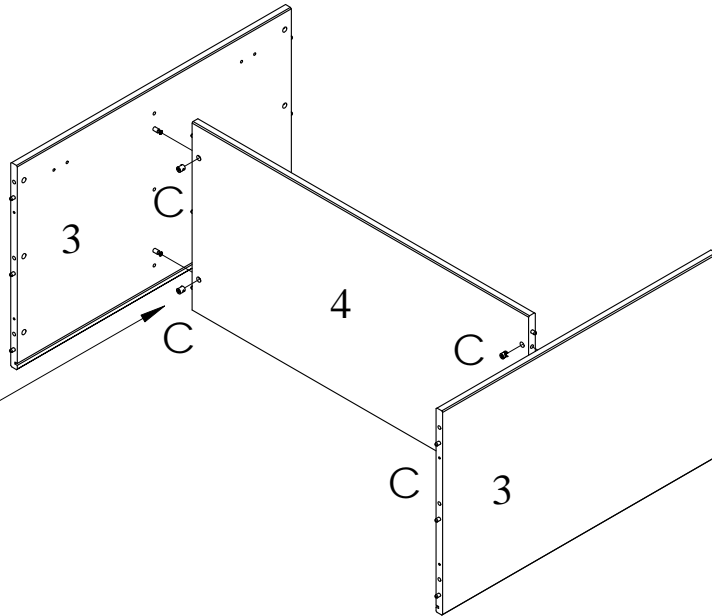
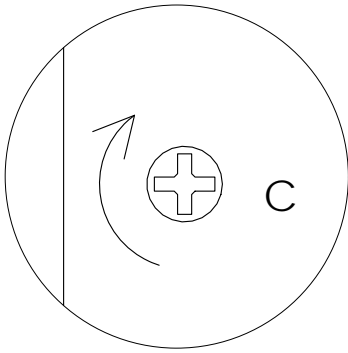
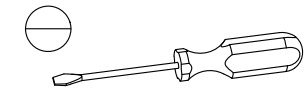



A		6x30	x18
---	--	------	-----



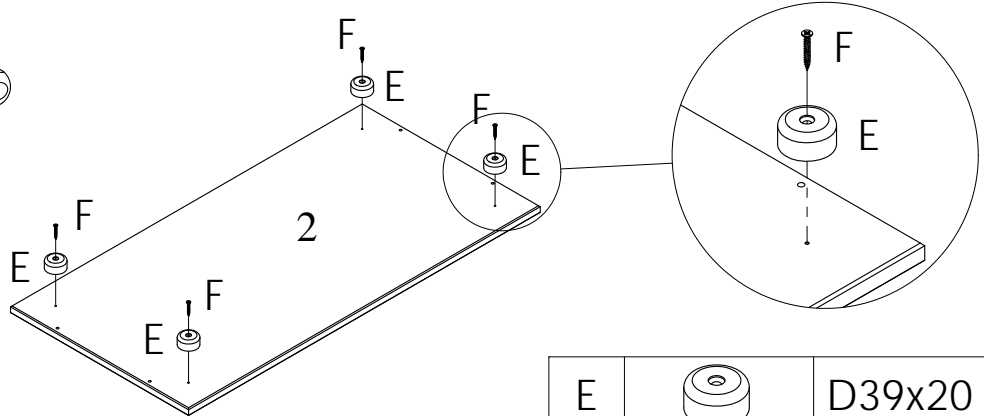
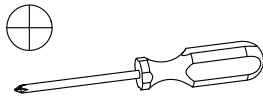
B		6,5x27	x10
---	--	--------	-----


3



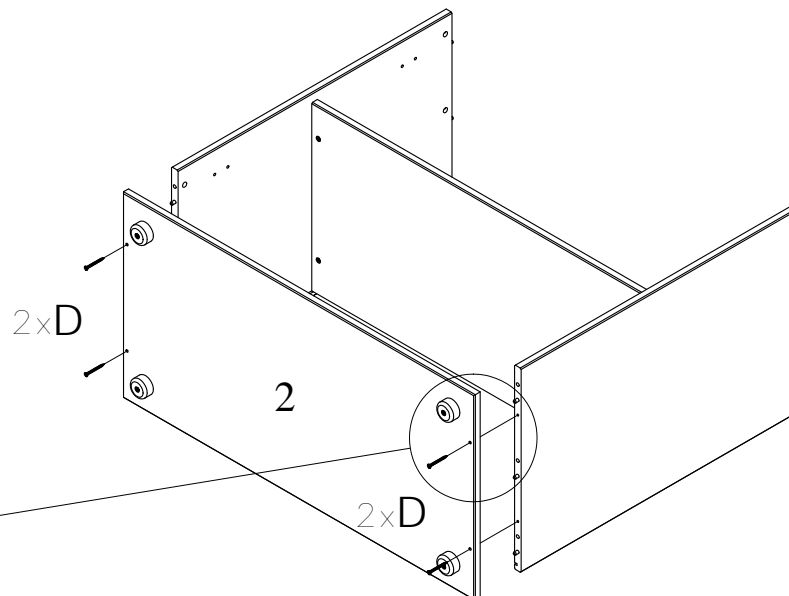
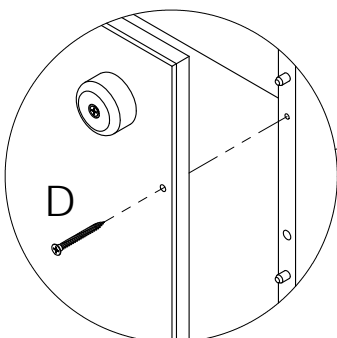
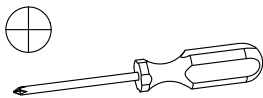
C		10x11	x4
---	---	-------	----


4



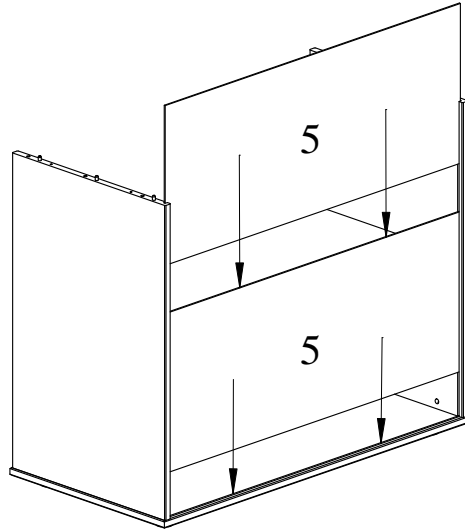
E		D39x20	x4
F		4x30	x4

5

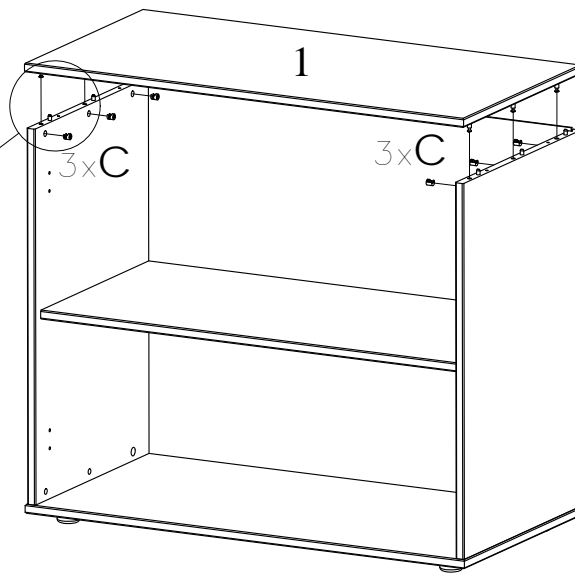
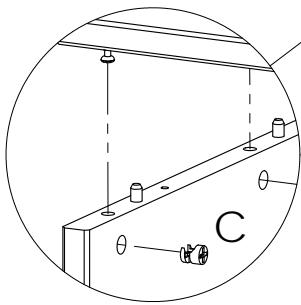
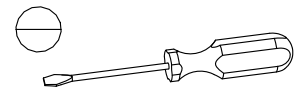



D		4,2x45	x4
---	---	--------	----

6

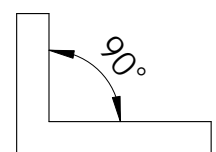
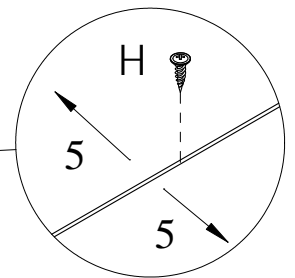
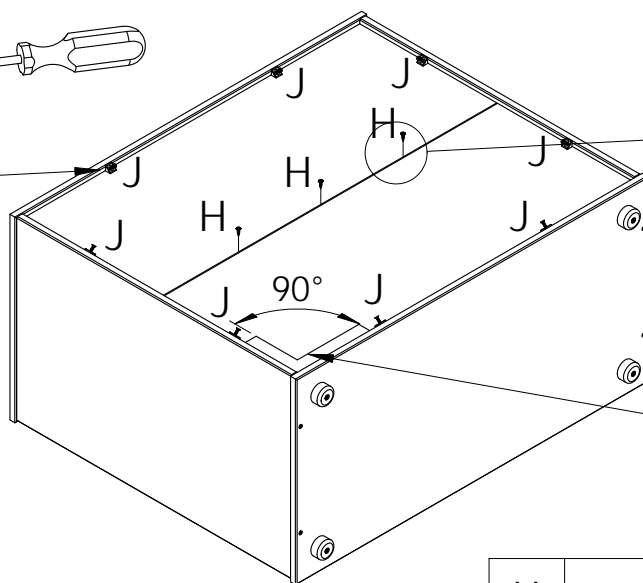
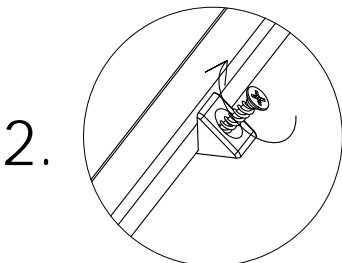
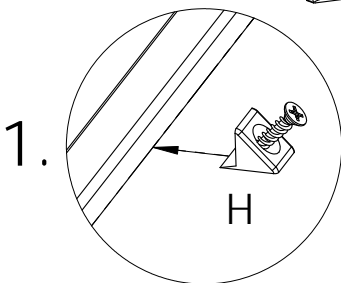
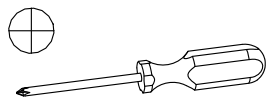




7



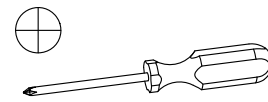
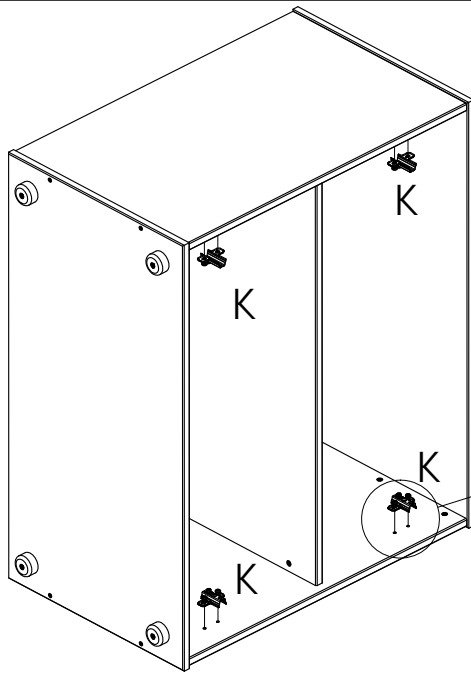
C		10x11	x6
---	---	-------	----

8



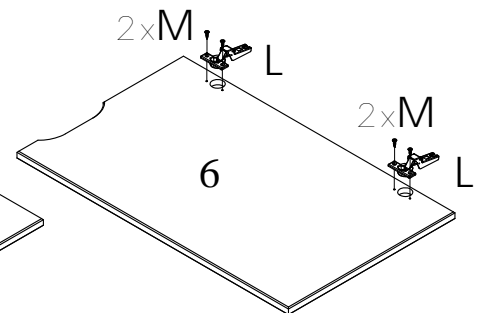
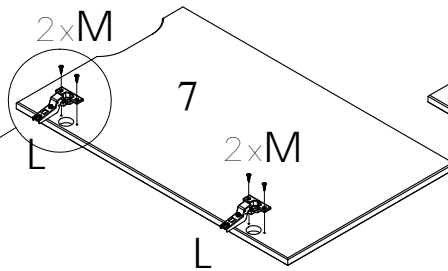
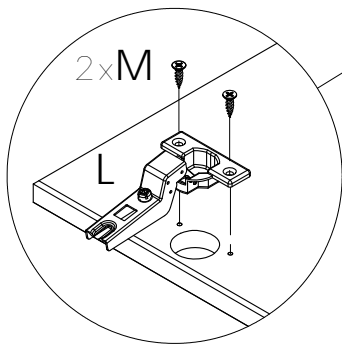
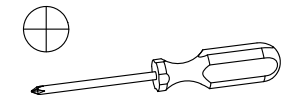
H		3x16	x3
J		3,5x20	x8

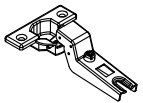

9



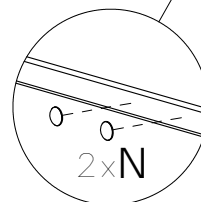
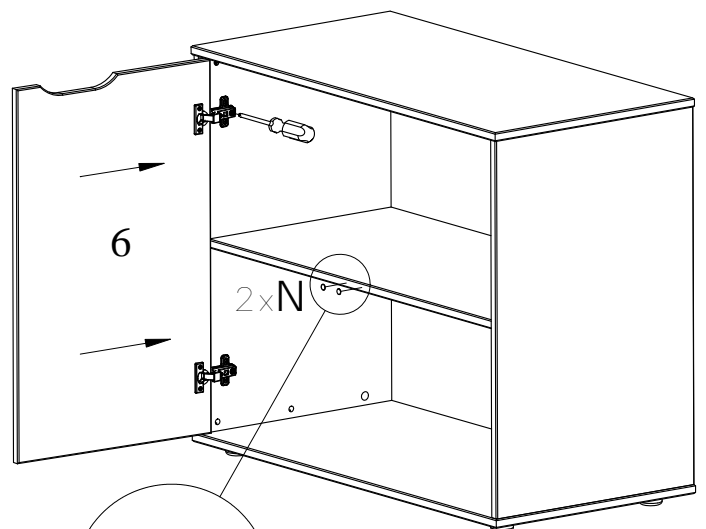
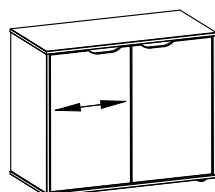
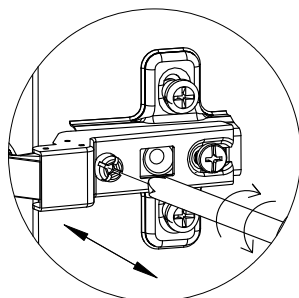
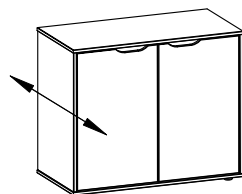
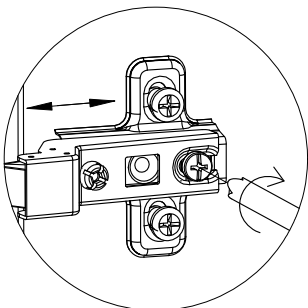
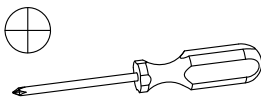
K		D26H2	x4
---	---	-------	----


10



L		D26	x4
M		3,5x15	x8

11



N		D10x3	x2
---	---	-------	----