

ATTENTION PLEASE
 ALTHOUGH DESIGN ON THE ASSEMBLY
 MAY DIFFER FROM THE ACTUAL BED, IT DOES NOT
 AFFECT THE WAY THE BEDS ARE ASSEMBLED.
 THIS IS FOR GUIDANCE ONLY.

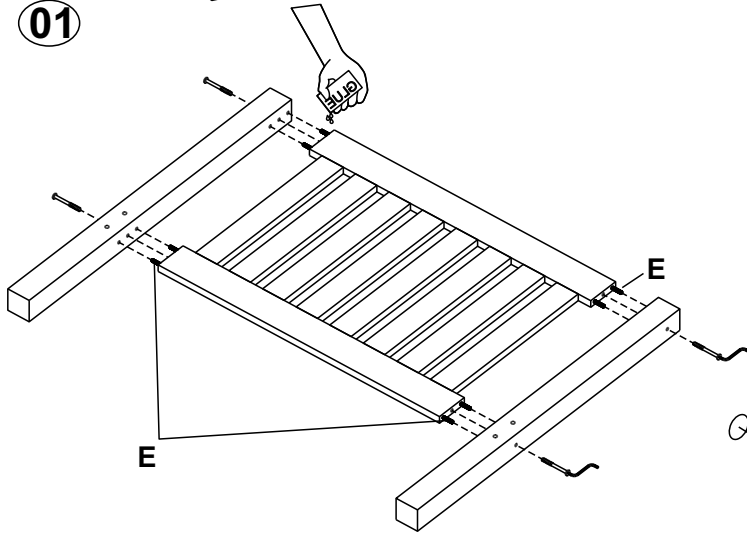


SHAKER
3'0 / 4'6 / 5'0

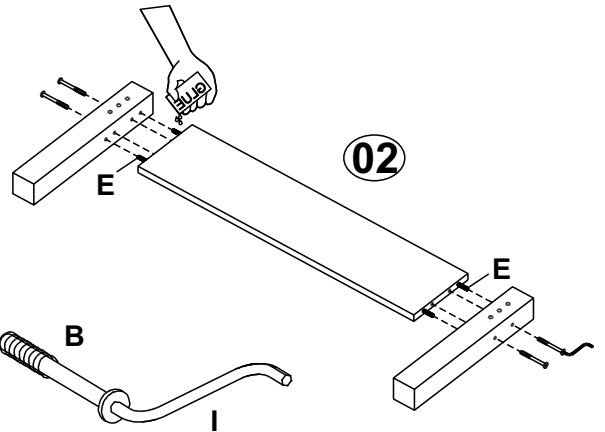


A		1/4" x 100	08
B		7,0 x 110	08
C		5,0 x 35	03
D		3,5 x 35	06
E		8.0 x 60	12
F		8.0 x 40	06
G		1/4"	08
H		GLUE	02
I			01

01



02

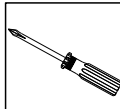


Rev. 02 - 08/05/2012

ATTENTION PLEASE
 ALTHOUGH DESIGN ON THE ASSEMBLY
 MAY DIFFER FROM THE ACTUAL BED, IT DOES NOT
 AFFECT THE WAY THE BEDS ARE ASSEMBLED.
 THIS IS FOR GUIDANCE ONLY.

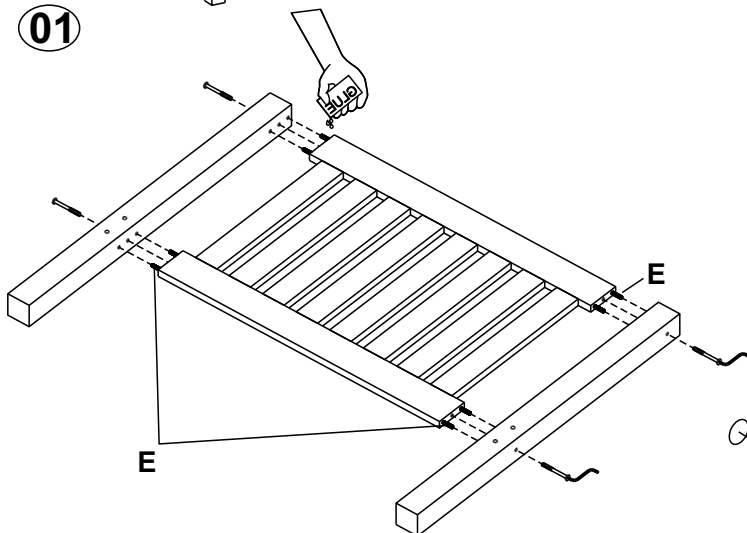


SHAKER
3'0 / 4'6 / 5'0

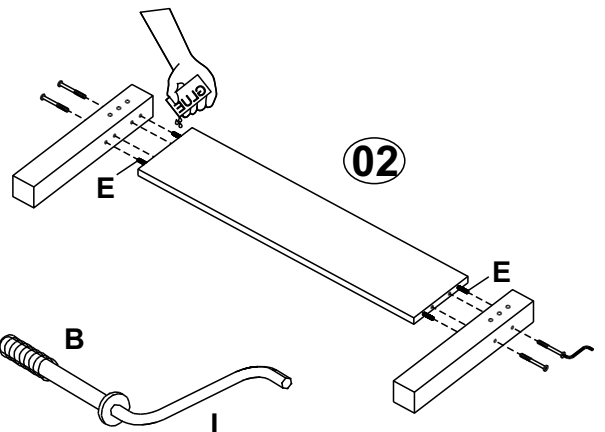


A		1/4" x 100	08
B		7,0 x 110	08
C		5,0 x 35	03
D		3,5 x 35	06
E		8.0 x 60	12
F		8.0 x 40	06
G		1/4"	08
H		GLUE	02
I			01

01

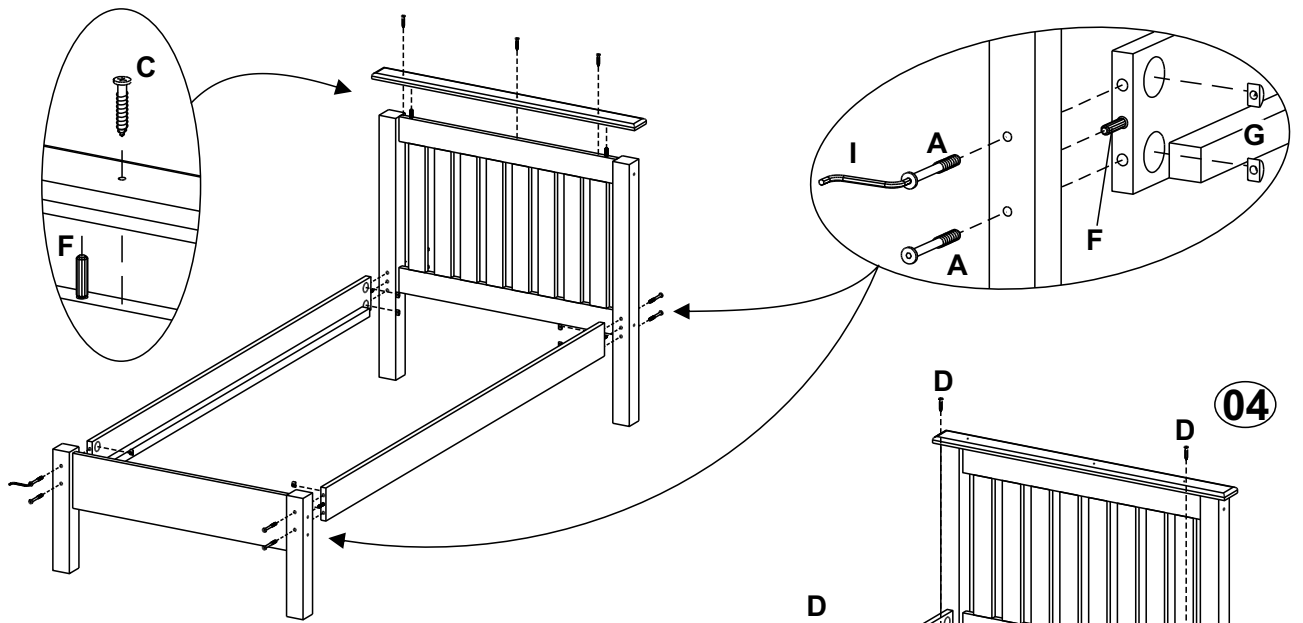


02



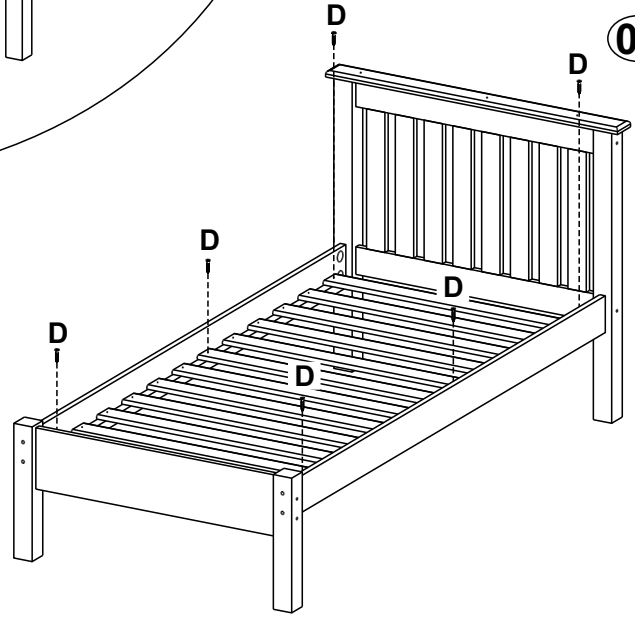
Rev. 02 - 08/05/2012

03

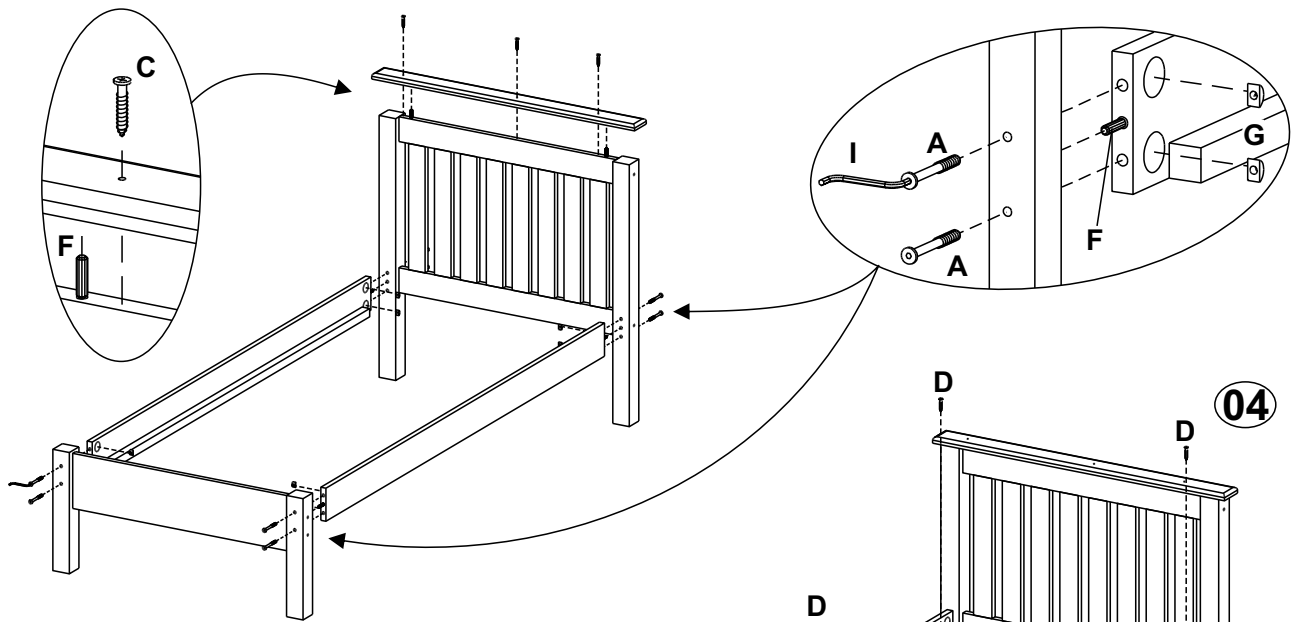


QUANTITY OF SLATS
MAY VARY FROM
ILLUSTRATION DUE
TO WIDTH OF SLATS.

04



03



QUANTITY OF SLATS
MAY VARY FROM
ILLUSTRATION DUE
TO WIDTH OF SLATS.

04

